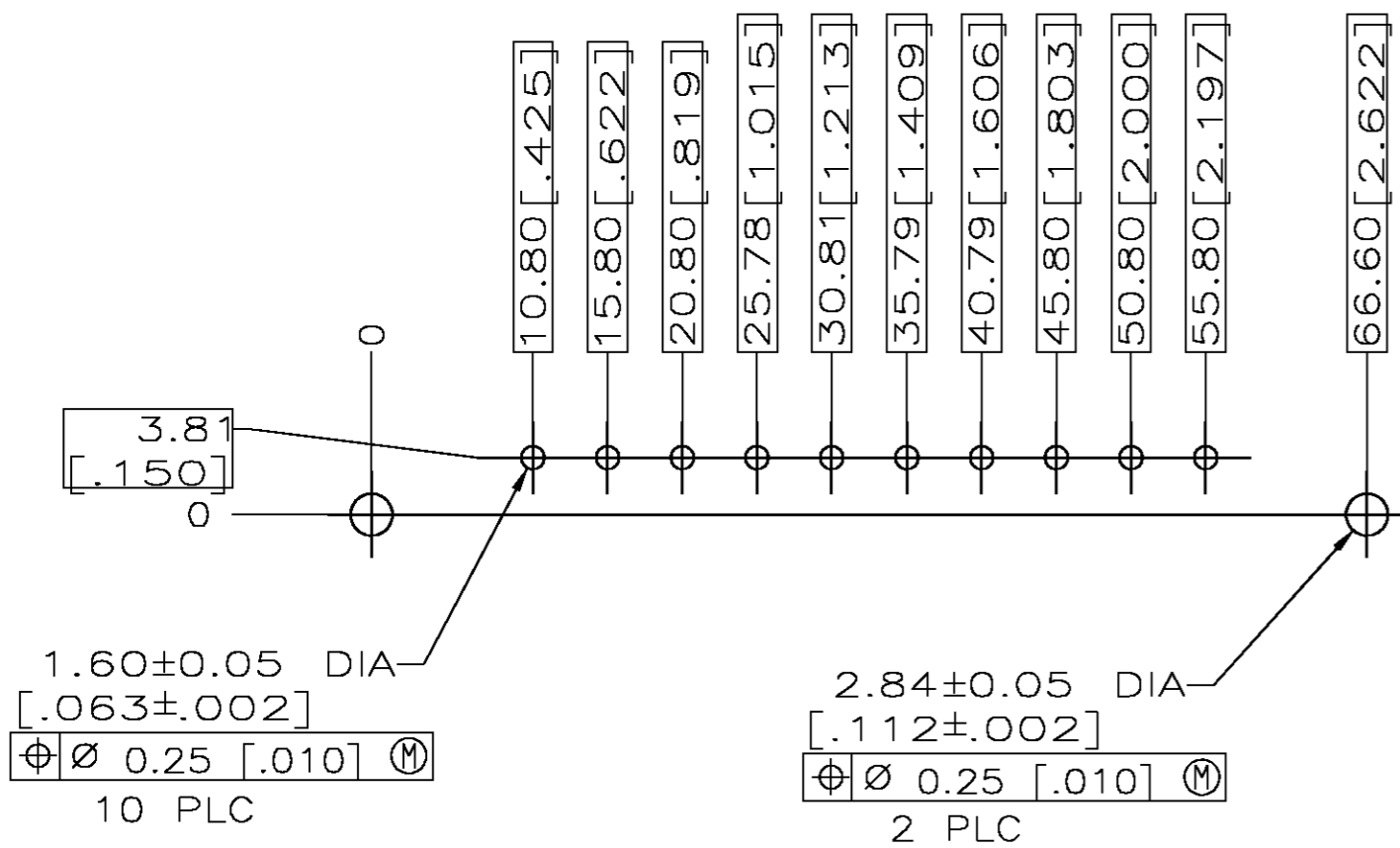
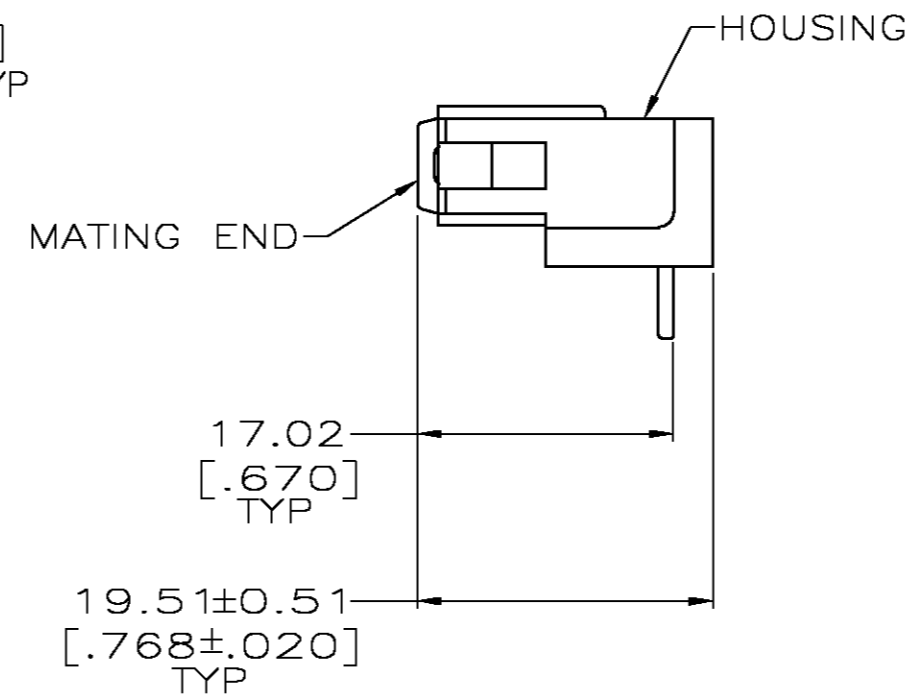
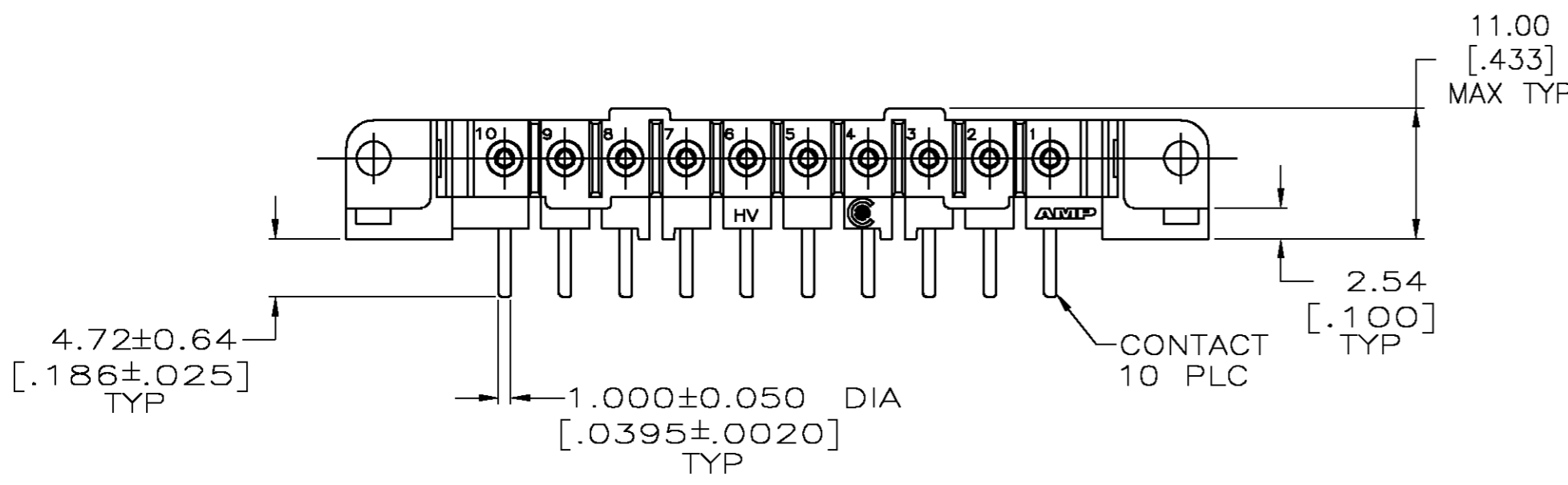
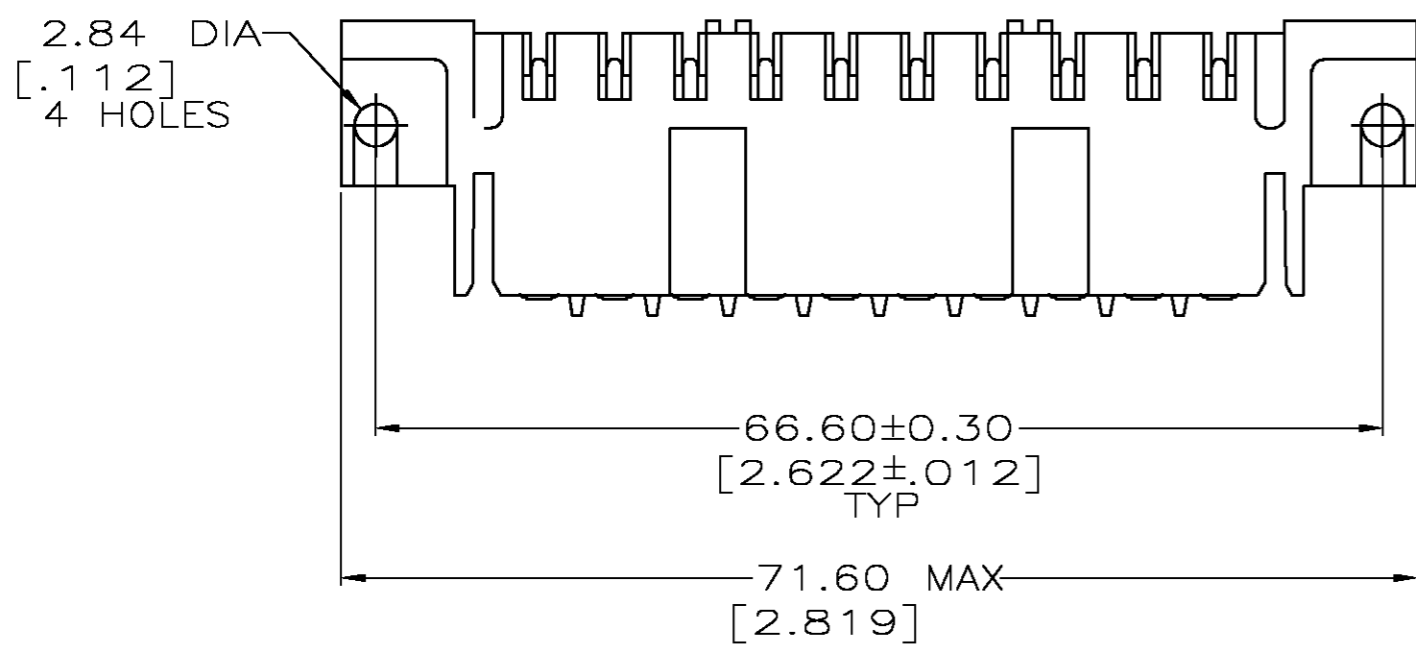


THIS DRAWING IS UNPUBLISHED. RELEASED FOR PUBLICATION  
 © COPYRIGHT BY TYCO ELECTRONICS CORPORATION. ALL RIGHTS RESERVED.

LOC	DIST	REVISIONS					
FT	0	P	LTR	DESCRIPTION	DATE	DWN	APVD
		H		REVISED PER 0G3B-0178-05	4/19/05	SS	GS



RECOMMENDED PC BOARD LAYOUT

- ① 3.81um [0.000150] MIN TIN-LEAD OVER 0.76um [0.000030] MIN NICKEL.
- ② 0.76um [0.000030] MIN GOLD FOR A LENGTH OF 5.08 [0.200] MIN FROM MATING END, 3.81um [0.000150] MIN TIN-LEAD FOR A LENGTH OF 5.23 [0.206] MIN FROM OPPOSITE END, BOTH OVER 1.27um [0.000050] MIN NICKEL.
- ③ 3.81um [0.000150] MIN TIN OVER 0.76um [0.000030] MIN NICKEL.
- ④ 0.76um [0.000030] MIN GOLD FOR A LENGTH OF 5.08 [0.200] MIN FROM MATING END, 3.81um [0.000150] MIN TIN FOR A LENGTH OF 5.23 [0.206] MIN FROM OPPOSITE END, BOTH OVER 1.27um [0.000050] MIN NICKEL.

④	207612-7
③	207612-6
②	207612-3
①	207612-1
CONTACT FINISH	PART NUMBER

THIS DRAWING IS A CONTROLLED DOCUMENT.		DWN	08/06/92	Tyco Electronics Corporation Harrisburg, Pa 17105-3608	
DIMENSIONS: mm [INCHES]		CHK	J.McCLINTON	NAME	
TOLERANCES UNLESS OTHERWISE SPECIFIED:		APVD	-	PRODUCT SPEC	
0 PLC ± -		APPLICATION SPEC		108-10033	
1 PLC ± -		WEIGHT		SIZE	
2 PLC ± 0.25 [0.010]		-		A2	
3 PLC ± -		CUSTOMER DRAWING		CAGE CODE	
4 PLC ± -		SCALE		00779	
ANGLES ± -		2:1		DRAWING NO	
FINISH		SHEET		C=207612	
HOUSING: NYLON, RED CONTACTS: SEE TABLE		1 OF 1		RESTRICTED TO	
		REV		-	
		H			

207612

A